



nyloflex[®] Flowline Washer F III

Premium quality system with inline washout, rinsing, after-cleaning and pre-drying

Mid-size format, suitable for processing high quality photopolymer plates up to a maximum size of 1020 x 1200 mm (40.2" x 47.0")

Excellent productivity and consistent washout results due to high automation

- process safety due to programmed plate processing parameters for transport speed, brush height and solvent temperature
- automated brush height setting for optimum brush pressure according to the plate thickness, resulting in a faster washout speed (particularly with thin plates), less plate swelling and less mechanical stress
- standby mode allows automatic feed of the next plate
- temperature controlled washout solvent with a high output heating device for quick warm-up and optimum washout temperature – cooling with a chilling device
- integral reverse-side plate cleaning allows efficient plate mounting

Ecologically friendly and economical due to efficient usage of solvent

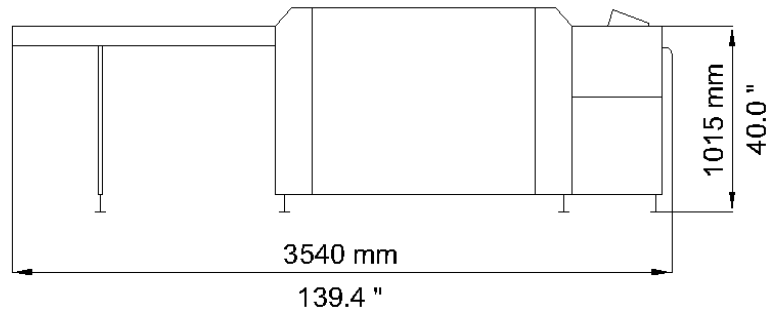
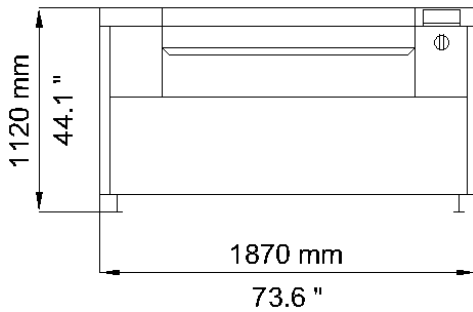
- integrated solid content measurement device to regulate the addition of fresh solvent
- intelligent exhaust system reduces emission rates and consumption of solvent (especially alcohol)
- plate-length detection system linked to programmed control system ensures minimum solvent and energy consumption

Easy and comfortable handling

- simple operation with a digital touch screen
- easy plate input due to a pneumatic lowering device
- low noise level during operation
- excellent reliability and long service life

nyloflex® Flowline Washer F III

Equipment dimensions



Technical data	nyloflex® Flowline Washer F III
Maximum plate size (W x L)	1020 mm x 1200 mm (40.2" x 47.2")
Minimum plate size (W x L)	200 mm x 300 mm (7.9" x 11.8")
Electrical connection	230 V, 50/60 Hz (3 Ph/N/PE) / 400 V, 50/60 Hz (3 Ph/N/PE)
Nominal current	23 A / 19 A
Nominal power	7.0 kW
Exhaust air flow rate	min. 200 Nm ³ /h (118 CFM)
Compressed air for washer	male coupling, 7.2 mm, 6 bar (0.28", 87 PSI)
Compressed air for plate punch	male coupling, 7.2 mm, 7 bar, 200 l/min (0.28", 102 PSI, 7.1 CFM)
Fresh solvent connection	R ½"
Waste solvent connection	R ½"
Weight (approx.)	1000 kg (2204 lbs) net 1780 kg (3924 lbs) gross
Crate dimensions (W x D x H)	4750 x 2300 x 1700 mm (187.0" x 90.6" x 66.9")
Recommended ambient temp.	20 - 25 °C (68 - 77 °F)

Washout solvent

We recommend the environmentally friendly nylosolv® washout solvents. If other washout solvents are to be used, we advise to check its suitability with a Flint Group Flexographic Products technician before using it.



**ANDERSON &
VREELAND INC.**

T: 866.282.7697 • F: 800.223.6869
www.AndersonVreeland.com • info@AndVre.com

All information in this document is based on our present knowledge and experience at the time of printing. Due to the multitude of factors influencing the processing and application of our products, it does not exempt the user from testing and calibrating. Nor does it imply any legally binding assurance concerning specific properties of the products or the suitability for a particular application. The responsibility of observing any possible industrial property rights, laws and regulations is the obligation of the user. Subject to technical changes without prior notice. Product names marked ® are registered trademarks of Flint Group.