



nyloflex[®] NExT Exposure F III

High intensity UV-A LED exposure for Flat Top Dots and Surface Screening

**NEW &
INNOVATIVE**

Mid-size format, suitable for processing high quality photopolymer plates up to a maximum size of 1200 x 920 mm (47.2" x 36.2")

Premium plate quality due to improved reproduction

- high performance exposure technology for precise image reproduction, finest relief elements and highest print quality
- innovative combination of latest generation UV-A LEDs with high output UV-A tubes
- offers all benefits of flat top dots & surface screening
 - virtual 1:1 copy of the digital data
 - tremendous improvement of ink transfer and laydown in solids, up to 25 %
 - extended gamut

Highest level of production consistency

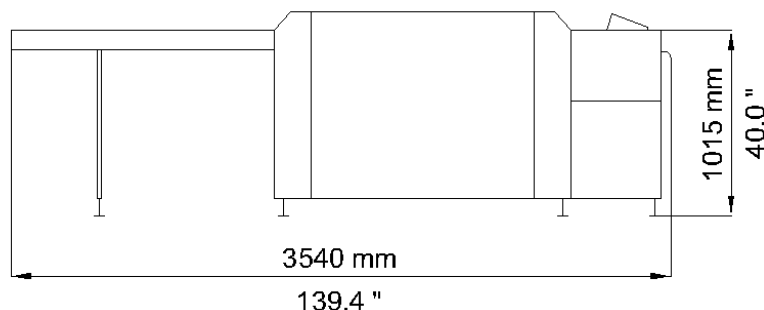
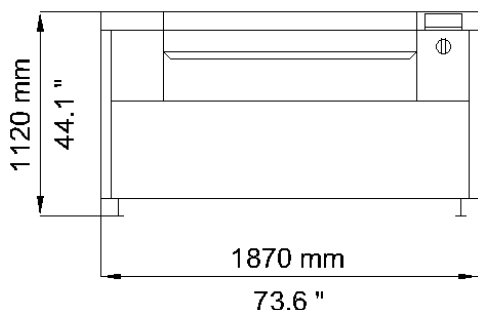
- high-intensity UV-A LEDs (>800 mW/cm²) for highest productivity
- low dot gain tolerances ensure stable print quality due to low impression sensitivity of Flat Top Dots
- constant output of UV-A LEDs results in highest long-term repeatability, especially for rework
- temperature control of exposure bed to ensure uniform production conditions

Easy integration in workflow – no additional consumables required

- easy implementation into existing digital workflow
- requires no additional processing steps or consumables (no lamination, no film, no inert gas), thus avoiding additional risks and extra costs
- compatible with all standard prepress software and HD Flexo
- flexible solution – typical digital dots (round top) can be achieved by the use of the UV-A tubes only
- suitable for all standard digital plates – any type, format and thickness

nyloflex® Flowline Washer F III

Equipment dimensions



Technical data	nyloflex® Flowline Washer F III
Maximum plate size (W x L)	1020 mm x 1200 mm (40.2" x 47.2")
Minimum plate size (W x L)	200 mm x 300 mm (7.9" x 11.8")
Electrical connection	230 V, 50/60 Hz (3 Ph/N/PE) / 400 V, 50/60 Hz (3 Ph/N/PE)
Nominal current	23 A / 19 A
Nominal power	7.0 kW
Exhaust air flow rate	min. 200 Nm ³ /h (118 CFM)
Compressed air for washer	male coupling, 7.2 mm, 6 bar (0.28", 87 PSI)
Compressed air for plate punch	male coupling, 7.2 mm, 7 bar, 200 l/min (0.28", 102 PSI, 7.1 CFM)
Fresh solvent connection	R ½"
Waste solvent connection	R ½"
Weight (approx.)	1000 kg (2204 lbs) net 1780 kg (3924 lbs) gross
Crate dimensions (W x D x H)	4750 x 2300 x 1700 mm (187.0" x 90.6" x 66.9")
Recommended ambient temp.	20 - 25 °C (68 - 77 °F)

Washout solvent

We recommend the environmentally friendly nylosolv® washout solvents. If other washout solvents are to be used, we advise to check its suitability with a Flint Group Flexographic Products technician before using it.



Toll-free: 866.282.7697 • Toll-free Fax: 800.223.6869
www.AndersonVreeland.com • info@AndVre.com

All information in this document is based on our present knowledge and experience at the time of printing. Due to the multitude of factors influencing the processing and application of our products, it does not exempt the user from testing and calibrating. Nor does it imply any legally binding assurance concerning specific properties of the products or the suitability for a particular application. The responsibility of observing any possible industrial property rights, laws and regulations is the obligation of the user. Subject to technical changes without prior notice. Product names marked ® are registered trademarks of Flint Group.