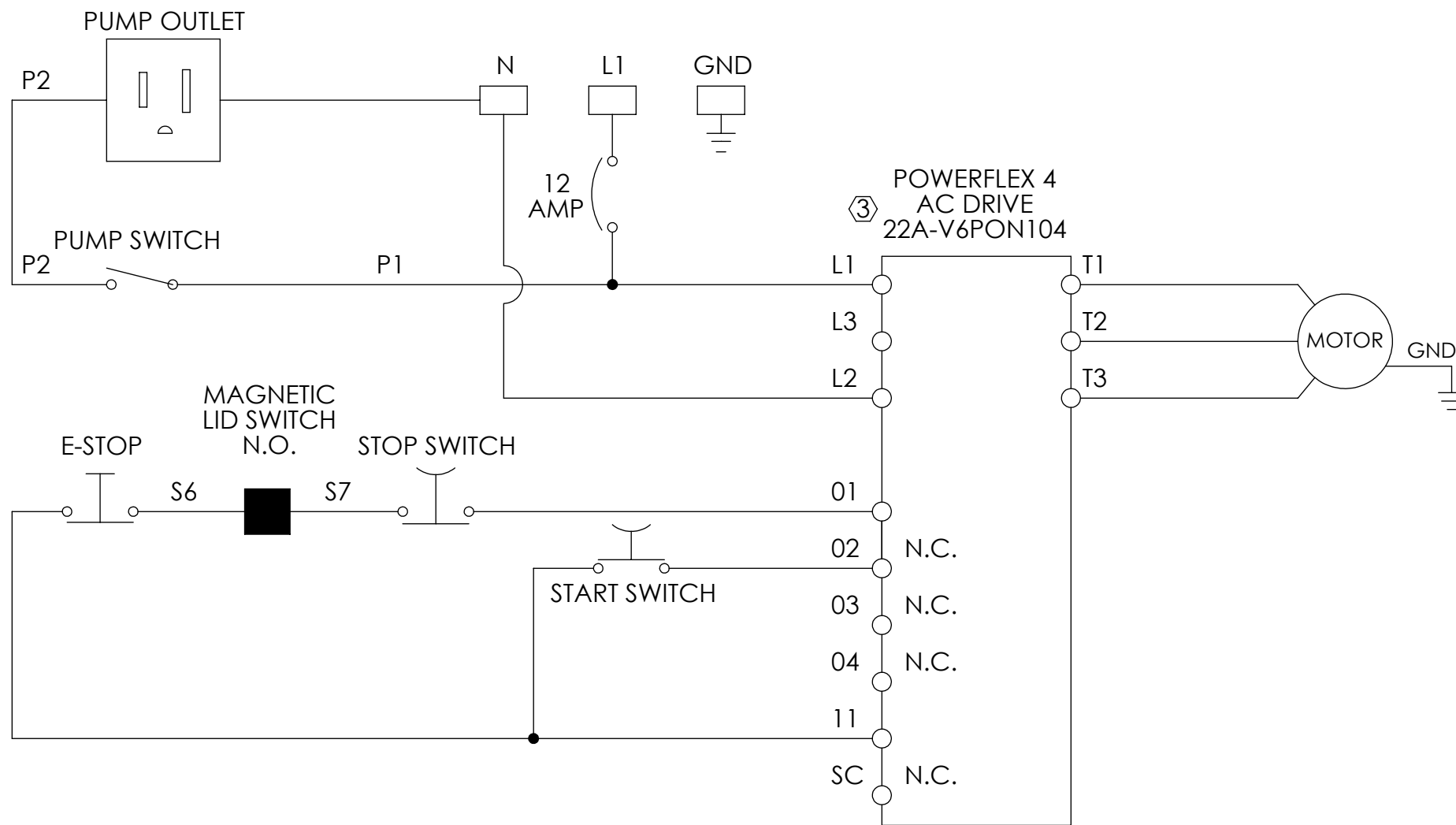


### REVISIONS

REV.	DESCRIPTION	DATE	CH'G. BY
1	UPDATED STARTING W/ SN CL50-1043	5/21/2010	JVL
2	WAS 230V UPDATE STARTING W/ SN CL50-1050	11/22/2010	JVL
3	WAS 22A-V4P5N104	10/27/2011	JVL



BALDOR  
 CAT. No. VM3554T  
 SPEC. - 35A003Z541H1 - 1.5 HP  
 230/3/60

PUMP SWITCH	: 800FPSM22	CONTACT: 800FX10
E-STOP	: 800FPMP44	CONTACT: 800FX01
GREEN PUSH BUTTON	: 800FP-F3	CONTACT: 800FX10
RED PUSH BUTTON	: 800FP-F4	CONTACT: 800FX01
MAGNETIC LID SWITCH	: 89F1404	
MAGNET	: 89F1401	
12A CIRCUIT BREAKER	: W58XB1A4A-12	

#### INVERTER PARAMETERS

PARAMETER	SETTING
P-036	1
P-039	10



#### PROPRIETARY AND CONFIDENTIAL

THE INFORMATION CONTAINED IN THIS DRAWING IS THE SOLE PROPERTY OF ANDERSON & VREELAND, INC. IT IS NOT TO BE COPIED OR REPRODUCED WITHOUT THE WRITTEN PERMISSION OF ANDERSON & VREELAND, INC. AND MUST BE RETURNED WHEN SO REQUESTED

TITLE: CL50 WHIRL - AWAY

② ELECTRICAL 120V/1Ph/60Hz

SIZE DWG. NO.

**B** 90934

STARTING SN: CL50-1039

UNLESS OTHERWISE SPECIFIED:		
DIMENSIONS ARE IN INCHES		
TOLERANCES:		
FRACTIONAL ± 1/64		
TWO PLACE DECIMAL ±.01		
THREE PLACE DECIMAL ±.001		
<b>DO NOT SCALE DRAWING</b>		
NAME	DATE	
DRN. BY: JOHN V. LAW	02-05-2010	
CK'D.	SCALE: 1:1	